

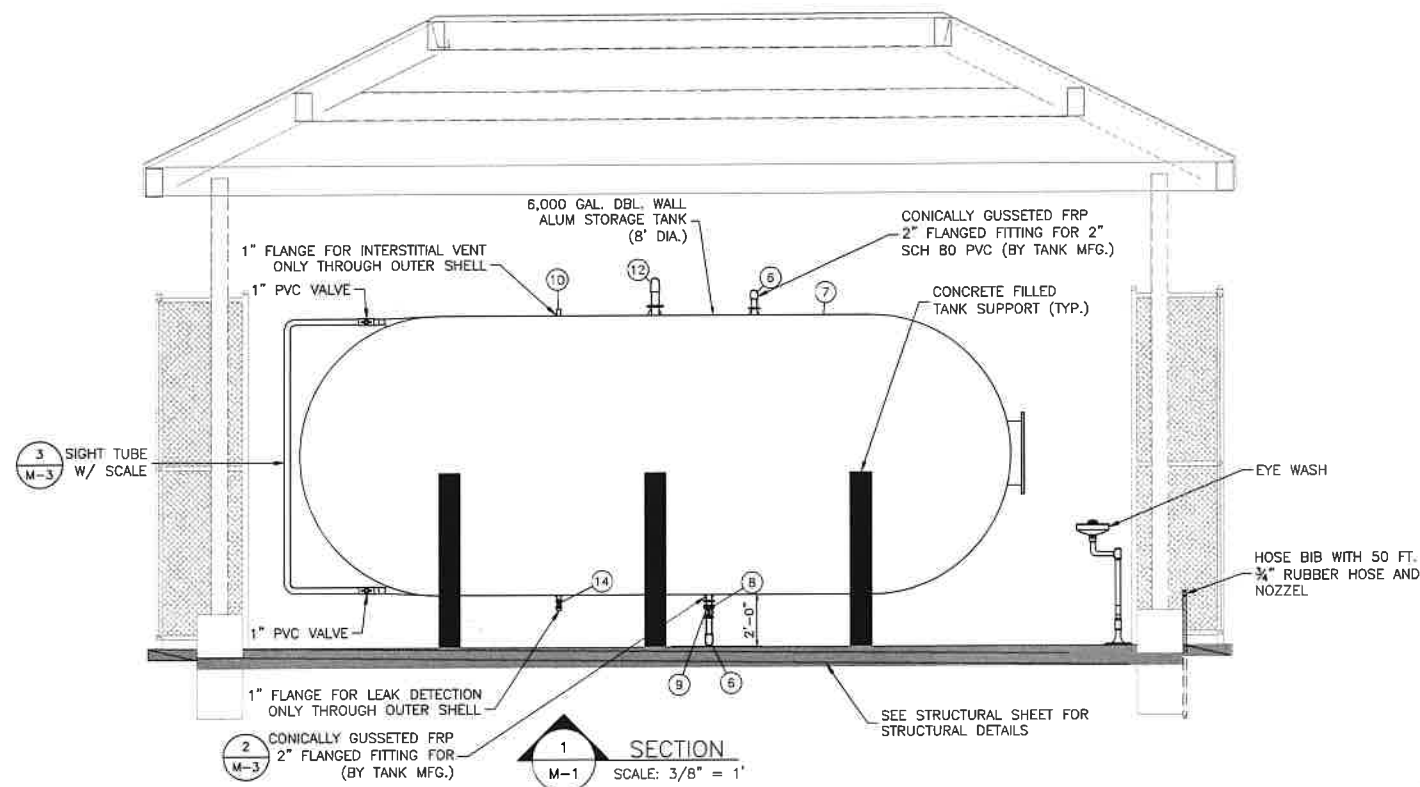
PLAN
SCALE: 3/8" = 1'

FITTING SCHEDULE

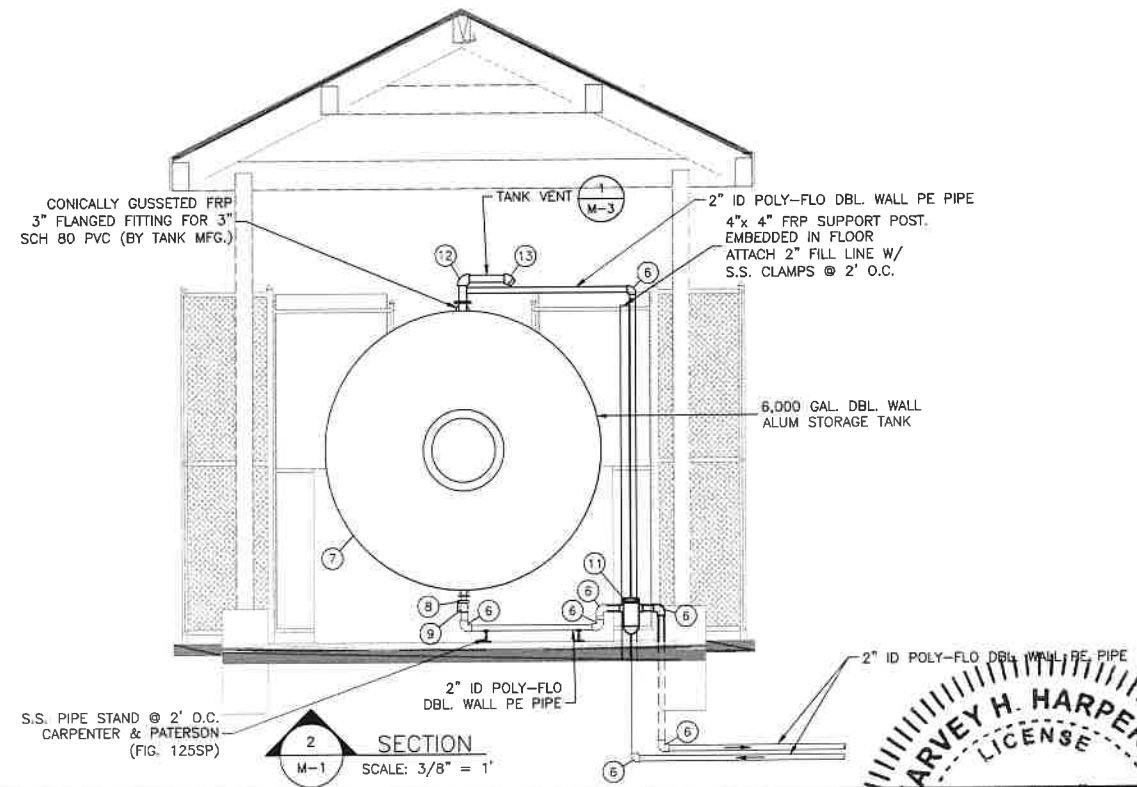
REF. NO.	DESCRIPTION	QUAN.
1	2" MALE 316 S.S. CAMLOCK CONNECTOR W/ CAP	1
2	2" 316 S.S. BALL VALVE W/ CONNECTOR	1
3	2" PVC 90° BEND	1
4	2" PVC CHECK VALVE W/ CONNECTOR	1
5	2" PVC TO 2" ID DBL. WALL HDPE ADAPTER	1
6	2" POLY-FLO 90° BEND (BLACK PE)	8
7	6,000 gal. FRP TANK (8' DIA.)	1
8	2" PVC BUTTERFLY VALVE	1
9	2" FLEXIBLE CONNECTION	1
10	INTERSTITIAL VENT	1
11	2" PVC BASKET STRAINER	1
12	3" PVC 90° BEND	1
13	3" PVC 45° BEND	1
14	1" S.S. VALVE	1

ALUM TANK FLANGED NOZZLE SCHEDULE			
QUANTITY	CONNECTION	NOZZLE SIZE (inches)	LOCATION ON TANK
1	Vent	3	Top
1	Fill	2	Top
1	Suction	2	Bottom
1	Upper Sight Tube Port	1	Near Top
1	Lower Sight Tube Port	1	Near Bottom
1	Access Manway	22	End
1	Leak Detection	1	Bottom
1	Interstitial Vent	1	Top

- NOTES:
- SOME ITEMS LISTED MAY NOT BE NOTED IN ALL APPLICABLE VIEWS.
 - ALL PVC SHALL BE SCH 80. EXPOSED PVC SHALL BE PAINTED PER MANUFACTURERS REQUIREMENTS.
 - DESIGN AND LOCATION OF TANK SUPPORTS TO BE DETERMINED BY TANK MANUFACTURER.
 - ALL PIPING CONTAINING AND/OR IN CONTACT WITH ALUM SHALL BE POLY-FLOW DBL. WALL PE PIPE.



SECTION
SCALE: 3/8" = 1'



SECTION
SCALE: 3/8" = 1'

DESIGNED BY:	REV.	DATE	DESCRIPTION	APP'D. BY
H. H. HARPER	1	06/29/23	ADDITIONAL LABELING AND CLARIFICATION	HHH
DRAWN BY:				
L. E. HEIGHT				
CHECKED BY:				
H. H. HARPER				
APPROVED BY:				
H. H. HARPER				
DATE: Jun., 2023				
SCALE: AS SHOWN				

ERD
ENVIRONMENTAL RESEARCH & DESIGN, INC.
ENGINEERING • SCIENCE • CHEMISTRY • RESEARCH
3419 TRENTWOOD BLVD., SUITE 102, ORLANDO, FL 32812
TELEPHONE 407-955-9485 • FAX 407-925-0419
ENGINEERING BUSINESS No. 5244

LEES COUNTY, FLORIDA

LAKES PARK WATER QUALITY ENHANCEMENT PROJECT

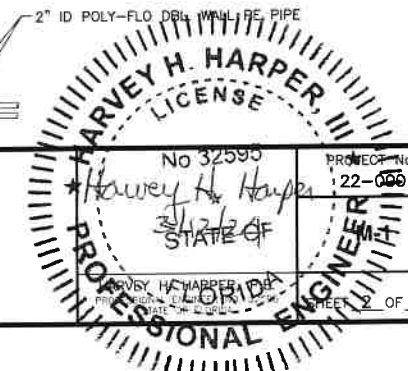
STORAGE TANK MECHANICAL PLAN

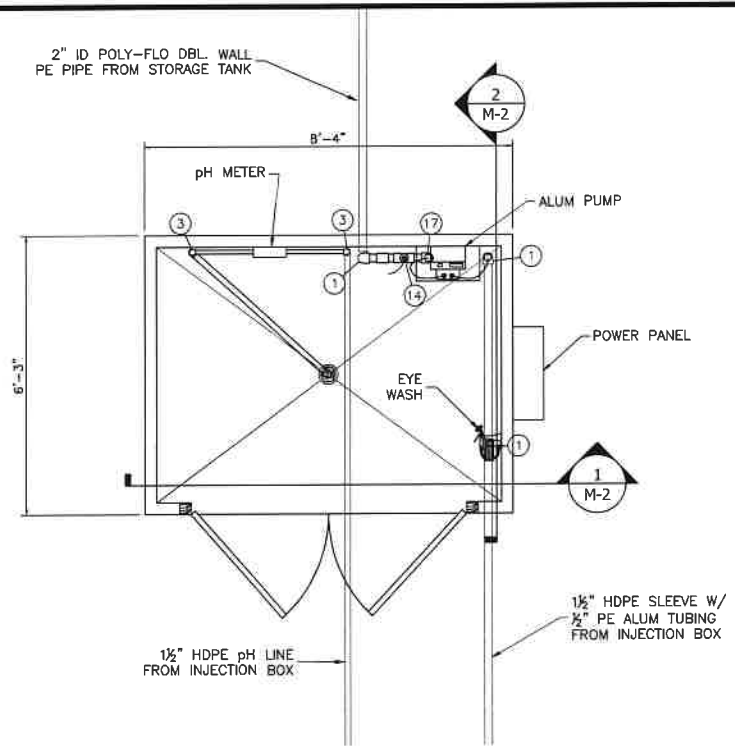
PROJECT No. 22-080

STATE OF FLORIDA

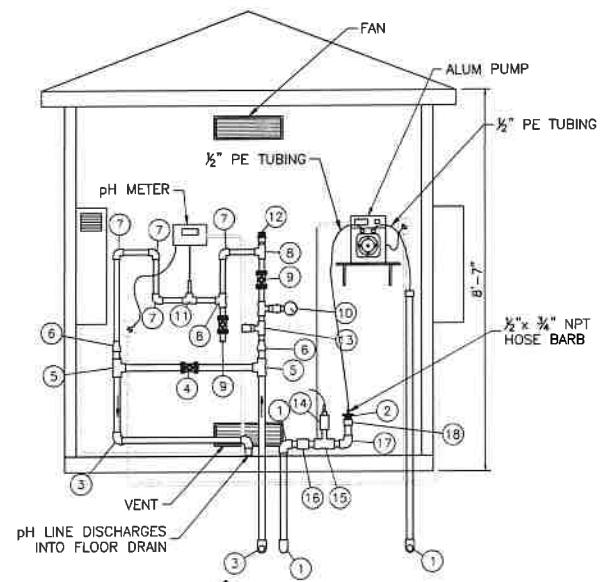
PROFESSIONAL ENGINEER

OF 5





PLAN
SCALE: 1/2" = 1'



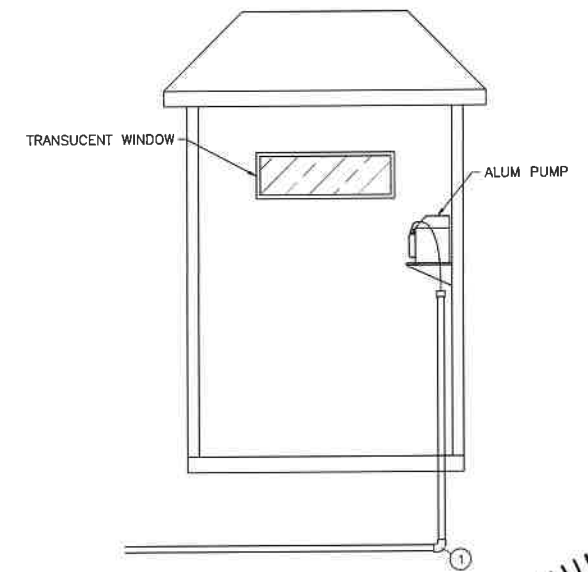
SECTION
SCALE: 1/2" = 1'

FITTING SCHEDULE

REF. NO.	DESCRIPTION	QUAN.
1	2" POLY-FLO 90° BEND (BLACK PE)	2
2	2" PVC TO TREADED 1/2" TUBING ADAPTER	1
3	1 1/2" PVC 90° BEND	1
4	1 1/2" 316 S.S. BALL VALVE	1
5	1 1/2" PVC TEE	1
6	1 1/2"x1" PVC REDUCER	4
7	1" PVC 90° BEND	1
8	1" PVC TEE	1
9	1" PVC BALL VALVE	1
10	1" PVC TEE W/ S.S. PRESSURE GAUGE	8
11	1" PVC TEE W/ pH PROBE	2
12	VACUUM RELEASE VALVE	1
13	PUMP PRESSURE SWITCH	1
14	LOW LEVEL SHUTDOWN LINKED TO PUMP PANEL	1
15	2" PVC TEE	1
16	2" POLY-FLO TO 2" PVC ADAPTER	1
17	2" PVC 90° BEND	1
18	2" PVC TO 3/4" MPT ADAPTER	1

NOTES:
1. SOME ITEMS LISTED MAY NOT BE NOTED IN ALL APPLICABLE VIEWS.
2. ALL PVC SHALL BE SCH 80. EXPOSED PVC SHALL BE PAINTED PER MANUFACTURERS REQUIREMENTS.

- ALL PIPING SHALL BE SECURELY FASTENED TO BUILDING WALL USING S.S. OR PLASTIC PIPE CLAMPS.
- ALL PIPING AND FITTINGS SHALL BE GRAY SCH 80 PVC UNLESS OTHERWISE NOTED.
- THE FLOOR WALL AND CEILING OF THE BUILDING SHALL BE COATED WITH 3 COATS OF TNEC SERIES 66 HI-BUILD EPOXYLINE OR APPROVED EQUAL. SURFACE PREPARATION AND COATING APPLICATION SHALL BE IN ACCORDANCE WITH MANUFACTURERS RECOMMENDATIONS. SAND SHALL BE BROADCAST IN THE WET 3RD. COAT ON THE FLOOR. ALL COLORS TO BE SELECTED BY OWNER DURING SHOP DRAWING REVIEW. COATING SHALL BE APPLIED USING A ROLLER ONLY.
- ALL PIPING SHALL BE LABELED WITH PRE-PRINTED LABELS INDICATING TYPE OF LINE (i.e. ALUM SUCTION, ALUM DISCHARGE, ALUM RETURN) AND DIRECTION OF FLOW.



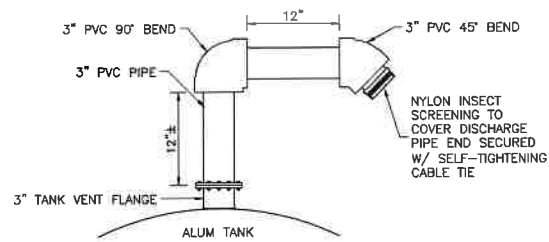
SECTION
SCALE: 1/2" = 1'

DESIGNED BY:	REV.	DATE	DESCRIPTION	APP'D. BY
H. H. HARPER	1	06/29/23	ADDITIONAL LABELING AND CLARIFICATION	HHH
DRAWN BY:				
L. E. HEIGHT				
CHECKED BY:				
H. H. HARPER				
APPROVED BY:				
H. H. HARPER				
DATE: Jun., 2023				
SCALE: AS SHOWN				

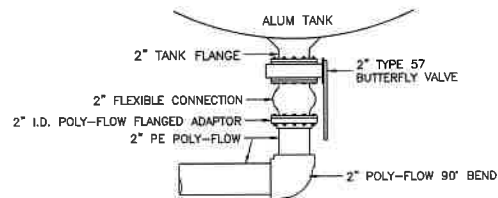
ERD
ENVIRONMENTAL RESEARCH & DESIGN, INC.
ENGINEERING • SCIENCE • CHEMISTRY • RESEARCH
3419 TRENTWOOD BLVD., SUITE 102, ORLANDO, FL 32812
TELEPHONE 407-855-9465 • FAX: 407-826-0419
ENGINEERING BUSINESS No. 6244

LEES PARK WATER QUALITY
ENHANCEMENT PROJECT
LEE COUNTY, FLORIDA

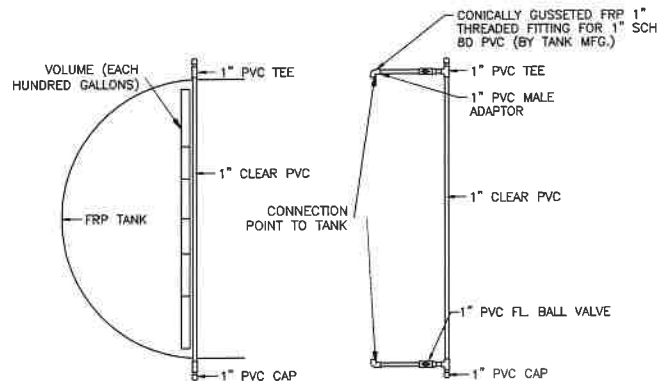
STORAGE TANK
MECHANICAL PLAN
FLORIDA
HARVEY H. HARPER, III
LICENSE
No. 27595
3/24/24
PROJECT No. 22-090
3 OF 5



1
M-1
DETAIL
NTS
TANK VENT

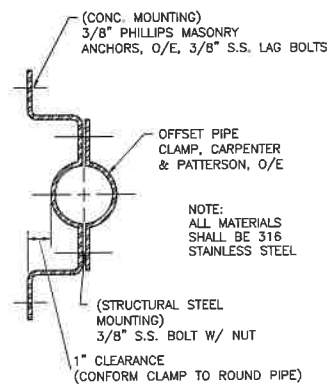


2
M-1
DETAIL
NTS
FLEXIBLE CONNECTION



REFER TO PLAN VIEW FOR LOCATION ON THE TANK.

3
M-1
DETAIL
NTS
SIGHT TUBE



4
M-3
DETAIL
NTS
PIPE CLAMP DETAIL

NOTES



1. ALL PIPING SHALL BE SECURELY FASTENED TO BUILDING FLOOR AND SUPPORT POSTS USING S.S. PIPE CLAMPS.
2. ALL PIPING AND FITTINGS SHALL BE GRAY SCH 80 PVC UNLESS OTHERWISE NOTED.
3. THE FLOOR OF THE STRUCTURE PAD SHALL BE COATED WITH 3 COATS OF TNEC SERIES 66 HI-BUILD EPOXYLINE OR APPROVED EQUAL. SURFACE PREPARATION AND COATING APPLICATION SHALL BE IN ACCORDANCE WITH MANUFACTURERS RECOMMENDATIONS. SAND SHALL BE BROADCAST IN THE WET 3RD. COAT. ALL COLORS TO BE SELECTED BY OWNER DURING SHOP DRAWING REVIEW. COATING SHALL BE APPLIED USING A ROLLER ONLY.
4. ALL PIPING SHALL BE LABELED WITH PRE-PRINTED LABELS INDICATING TYPE OF LINE (i.e. ALUM SUCTION, ALUM DISCHARGE, ALUM RETURN) AND DIRECTION OF FLOW.

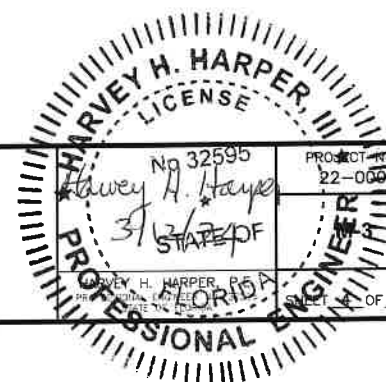
DESIGNED BY:	REV.	DATE	DESCRIPTION	APP'D. BY
H. H. HARPER	1	06/29/23	ADDITIONAL LABELING AND CLARIFICATION	HHH
DRAWN BY:				
L. E. HEIGHT				
CHECKED BY:				
H. H. HARPER				
APPROVED BY:				
H. H. HARPER				
DATE: Jun., 2023				
SCALE: AS SHOWN				

ERD
ENVIRONMENTAL RESEARCH & DESIGN, INC.
 ENGINEERING • SCIENCE • CHEMISTRY • RESEARCH
 3419 TRENTWOOD BLVD., SUITE 102, ORLANDO, FL 32812
 TELEPHONE: 407-855-9455 • FAX: 407-826-0419
 ENGINEERING BUSINESS No. 6244

LAKES PARK WATER QUALITY ENHANCEMENT PROJECT

LEE COUNTY, FLORIDA

TANK DETAILS



PROJECT No. 22-006